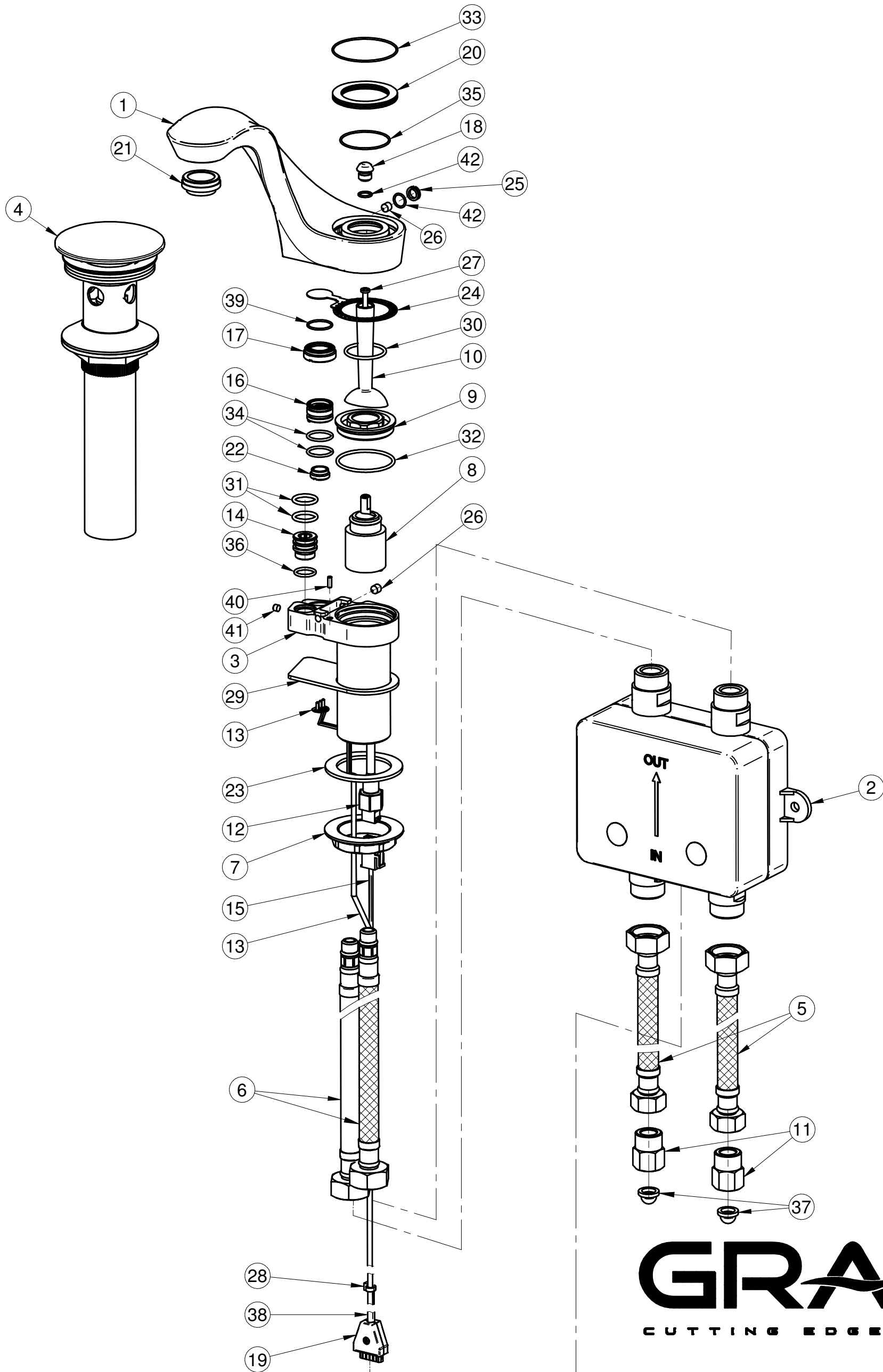


GN-6401-LM43 -V2

AMETIS Series



GRAFF[®]
CUTTING EDGE DESIGN